

TECHNICAL DATA SHEET

RADIAL FAN nr. AFGG-20_04



G&G filtration CZ, s.r.o.

A Hrubínova 1903/9, 66451 Šlapanice, CZ
 IČ 05226953 IČ DPH CZ05226953
 E info@ggf.cz W www.ggf.cz

ITEM1

Document printed by Aeraulica - Dimensions and performances can be changed without prior notice

Type and characteristics of the requested machine				performance on		Outlet					
Flow rate	2400 [m3/h]	Capacity (Normal)				2236 [Nm3/h]					
Total pressure	2000 [Pa]	Static pressure									
Working fluid temperature	20 [°C]	Fluid specific weight				1.204 [Kg/m3]					
Installation altitude	0 asl [m]	Specific weight std (20 [°C], 0 asl [m])				1.204 [Kg/m3]					
Suggested model and effective characteristics				performance on		Outlet					
Model	RM 350/2-I	Execution	E04	Installation Type	A (free inlet and outlet)						
Fluid specific weight	1.204	1.204 [Kg/m3]		Revolution fan speed		2920 [rpm]					
Total pressure	1939	1939 [Pa]		Orientation		RD 0					
Static pressure	1862	1862 [Pa]		Sound power LwA		97.25 [dB(A)]					
Flow rate	2400	2400 [m3/h]		Sound pressure at mt.1.5 1/2 sf in open field		83.95 [dB(A)]					
Capacity (Normal)	2236	2236 [Nm3/h]		Pipings	s>3mm = +3dB; 1mm<s<3mm = +4,5dB; s<1mm = +6dB						
Power dem. at shaft	1.73	1.73 [kW]		Fan efficiency	Outlet	74.71	%				
Motor power demand	1.73	1.73 [kW]									
Characteristics of chosen motor				Motor efficiency IEC 60034-30			IE3				
Code	090L02-50/std3	shape	B3	Efficiency	85.9	86.8	86.1	PD ² impeller	0.5	kgm ²	
Rated power	2.2 [kW]	n° poles	2	rpm	2910			PD ² needed	0.5	kgm ²	
				Load	100%	75%	50%	PD ² motor	2	kgm ²	
ErP 2009/125/CE Regulament (UE) N. 327/2011				Notes							
Efficiency grade	64			N	73.3			Total efficiency	66.35	%	
Impeller type	backward blades	Type of test	B/total	Flow rate	2880.82 [m3/h]			Pressure	1691 [Pa]		
NOTE				Performance on Outlet RM 350/2-I - E04 - D=0.355[m] - ρ=1.204[kg/m ³] - T=20[°C] - 0[m]a.s.l.							
Rpm Limit	<=60 °C: 4150 Rpm										
values of the noise of fan obtained in ambient not reverberant with inlet and outlet ducts fully insulated											

TECHNICAL DATA SHEET

RADIAL FAN nr. AFGG-20_04



G&G filtration CZ, s.r.o.

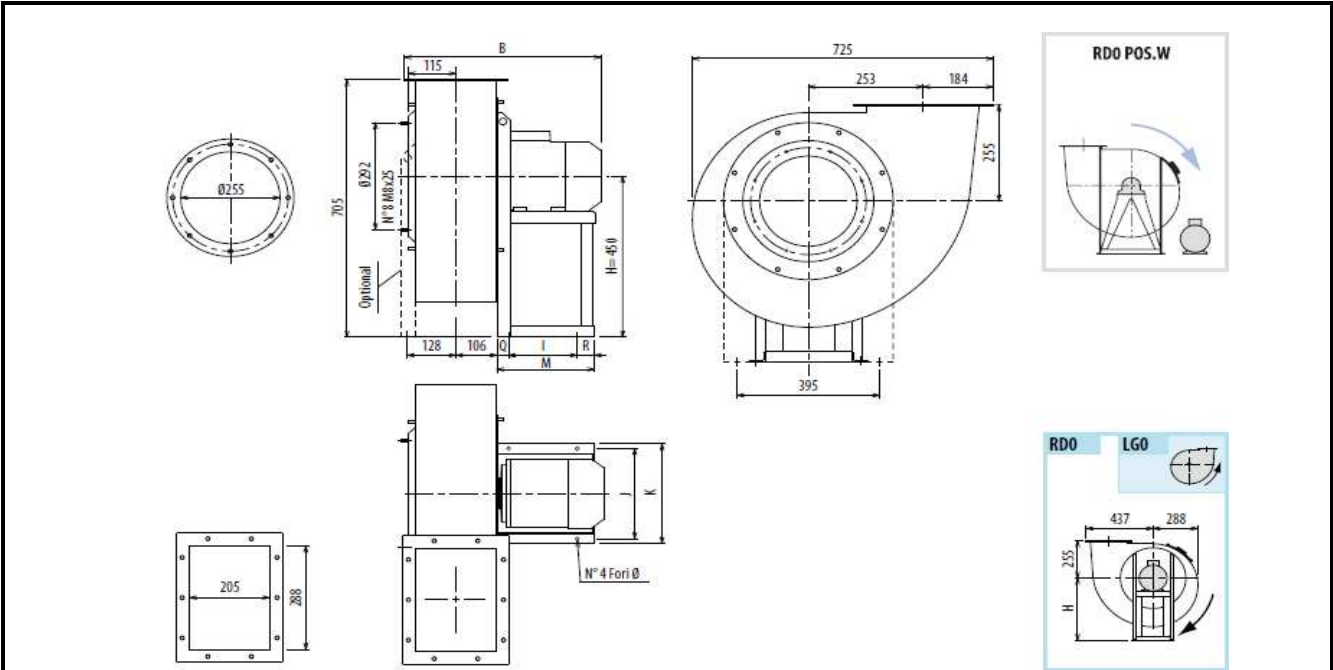
A Hrubínova 1903/9, 66451 Šlapanice, CZ

IČ 05226953 IČ DPH CZ05226953

E info@ggf.cz W www.ggf.cz

ITEM1

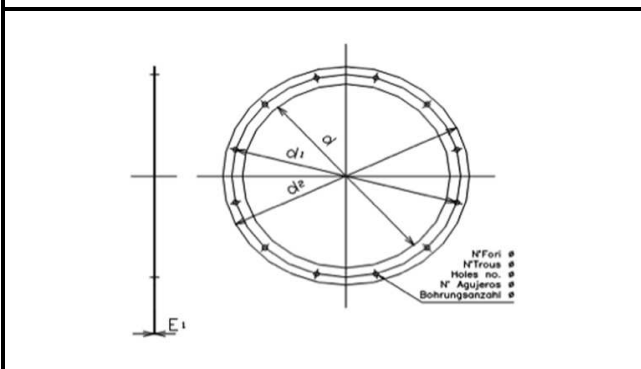
Document printed by Aeraulica - Dimensions and performances can be changed without prior notice



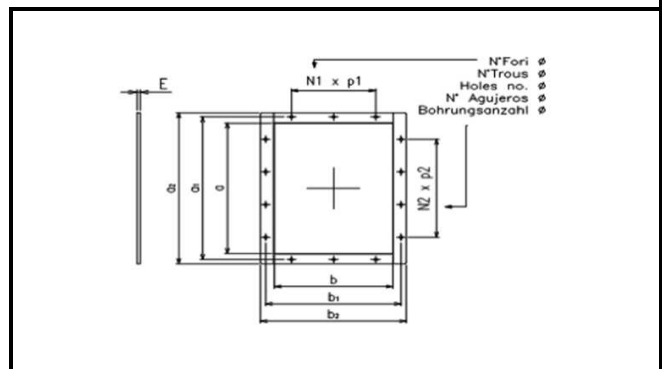
Indicative measures in the standard configuration. For detailed information contact your reference.

Indicative value of weight including standard motor.

B	I	H	H1	H2	J	K	Q	R	M	Φ	PD2	kg
530	133	450	255	450	234	260	58	60	251	10	0,5	70



Cod	dxn°	d1	d2	Φ	E1
0255 A	255x8	292	325	10	4



Cod	axb	a1	b1	a2	b2
0288x0205	288x205	332	249	368	285

N1xp	N2xp	n°	Φ	E
1x125	2x125	10	12	4