

TECHNICAL DATA SHEET

RADIAL FAN nr. AFGG-35_17



G&G filtration CZ, s.r.o.

A Hrubínova 1903/9, 66451 Šlapanice, CZ
 IČ 05226953 IČ DPH CZ05226953
 E info@ggf.cz W www.ggf.cz

ITEM1

Document printed by Aeraulica - Dimensions and performances can be changed without prior notice

Type and characteristics of the requested machine				performance on		Outlet		
Flow rate	19000 [m3/h]	Capacity (Normal)			17704 [Nm3/h]			
Total pressure	3550 [Pa]	Static pressure						
Working fluid temperature	20 [°C]	Fluid specific weight			1.204 [Kg/m3]			
Installation altitude	0 asl [m]	Specific weight std (20 [°C], 0 asl [m])			1.204 [Kg/m3]			
Suggested model and effective characteristics				performance on		Outlet		
Model	RH 560/2-A-III	Execution	E04	Installation Type	A (free inlet and outlet)			
Fluid specific weight	1.204	1.204 [Kg/m3]		Revolution fan speed		2960	[rpm]	
Total pressure	3674	3674 [Pa]		Orientation		RD 0		
Static pressure	3357	3357 [Pa]		Sound power LwA		109.38	[dB(A)]	
Flow rate	19000	19000 [m3/h]		Sound pressure at mt.1.5 1/2 sf in open field		96.08	[dB(A)]	
Capacity (Normal)	17704	17704 [Nm3/h]		Pipings	s>3mm = +3dB; 1mm<s<3mm = +4,5dB ; s<1mm = +6dB			
Power dem. at shaft	23.809	23.809 [kW]		Fan efficiency	Outlet	81.45	%	
Motor power demand	23.809	23.809 [kW]						
Characteristics of chosen motor				Motor efficiency IEC 60034-30			PD ² impeller	
Code	200LA2-50/std3P	shape	B3	Efficiency	93.3	93.5	92.9	4.5 kgm ²
Rated power	30.0 [kW]	n° poles	2	rpm	2960			PD ² needed 4.5 kgm ²
				Load	100%	75%	50%	PD ² motor 32.4 kgm ²
ErP 2009/125/CE Regulament (UE) N. 327/2011				Notes				
Efficiency grade	64	N	75.9	Total efficiency	76.82 %			
Impeller type	backward blades	Type of test	B/total	Flow rate	16839 [m3/h]	Pressure	3775 [Pa]	
NOTE				Performance on Outlet RH 560/2-A-III - E04 - D=0.56[m] - ρ=1.204[kg/m ³] - T=20[°C] - 0[m]a.s.l.				
Rpm Limit	<=60 °C: 3400 Rpm			H _r , H _{st} [Pa]	Na [kW] η _r [%] [dB(A)]			
values of the noise of fan obtained in ambient not reverberant with inlet and outlet ducts fully insulated								

TECHNICAL DATA SHEET

RADIAL FAN nr. AFGG-35_17



G&G filtration CZ, s.r.o.

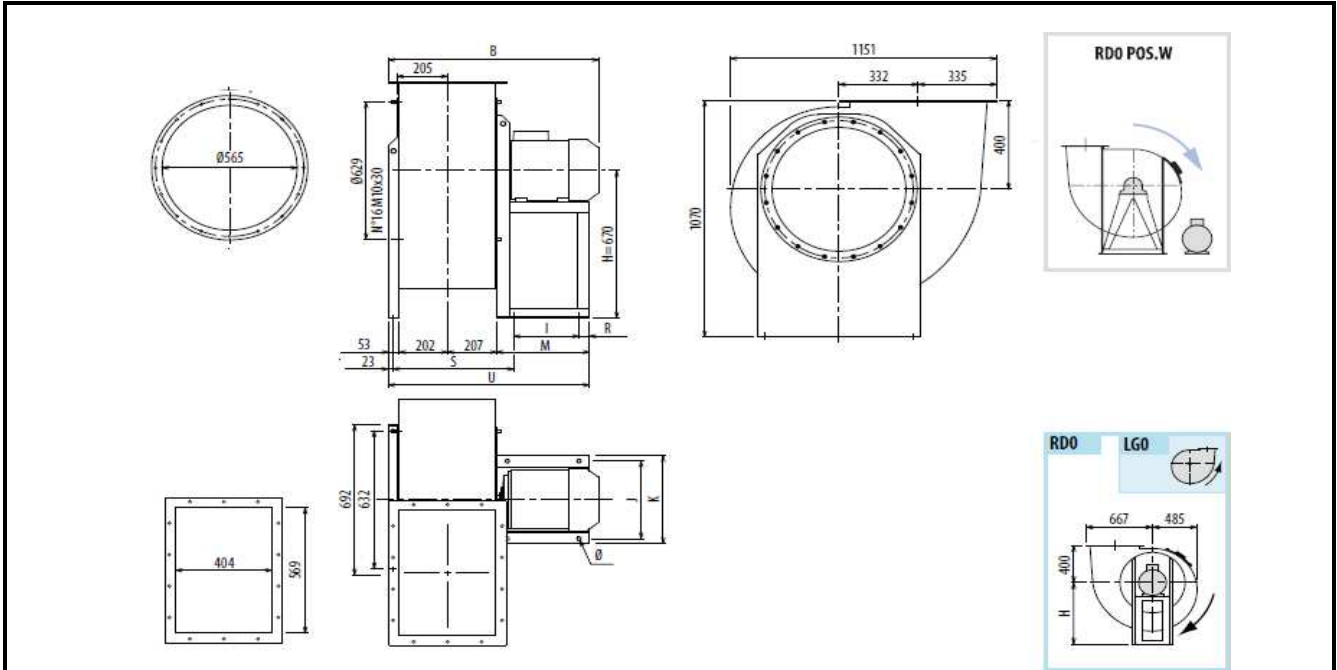
A Hrubínova 1903/9, 66451 Šlapanice, CZ

IČ 05226953 IČ DPH CZ05226953

E info@ggf.cz W www.ggf.cz

ITEM1

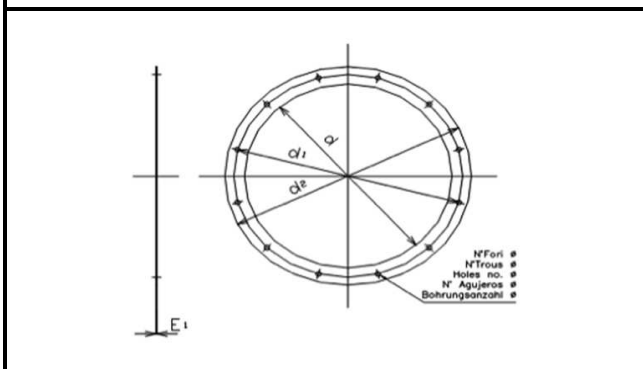
Document printed by Aeraulica - Dimensions and performances can be changed without prior notice



Indicative measures in the standard configuration. For detailed information contact your reference.

Indicative value of weight including standard motor.

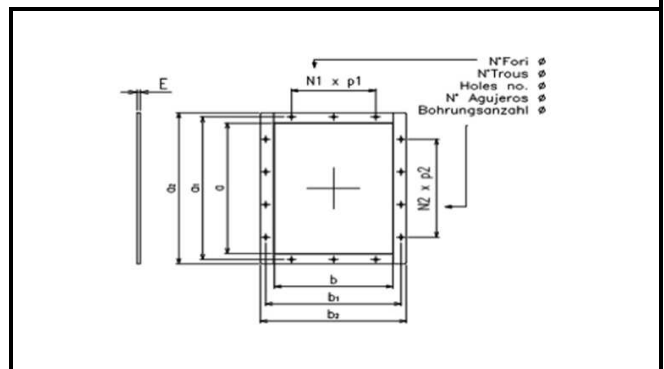
B	I	H	H1	H2	J	K	M	R	S	U	Φ	PD2
1073	381	670	400	670	506	568	500	39	519	962	19	4,5
kg												
353												



Cod	dxn°	d1	d2	Φ	E1
0565 B	565x16	629	665	14	4

--	--	--	--	--	--

--	--	--	--	--	--



Cod	axb	a1	b1	a2	b2
0569x0404	569x404	629	464	669	504

N1xp	N2xp	n°	Φ	E	
2x160	3x160	14	14	4	

--	--	--	--	--	--