

TECHNICAL DATA SHEET

RADIAL FAN nr. AFGG-40_13



G&G filtration CZ, s.r.o.

A Hrubínova 1903/9, 66451 Šlapanice, CZ
 IČ 05226953 IČ DPH CZ05226953
 E info@ggf.cz W www.ggf.cz

ITEM1

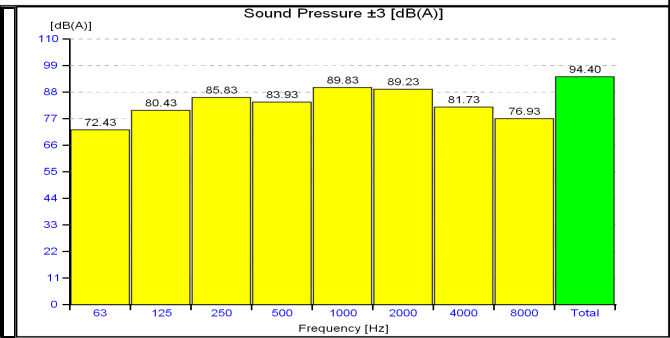
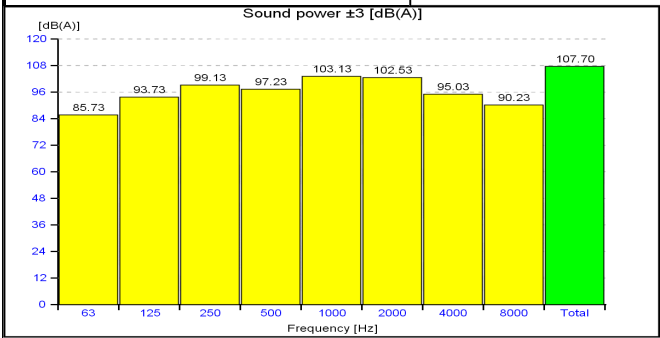
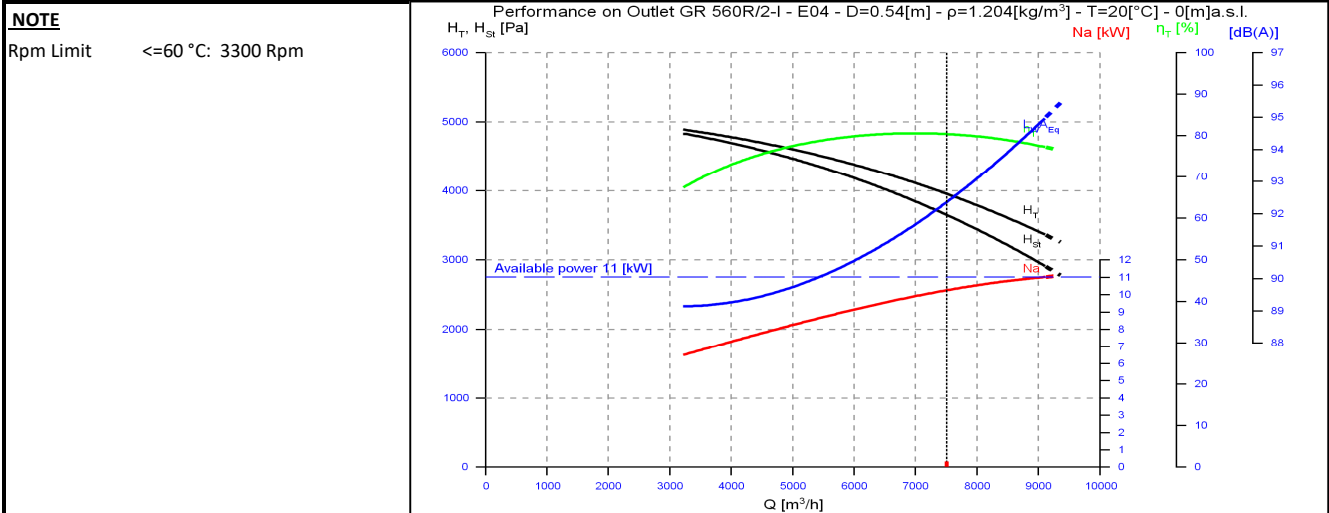
Document printed by Aeraulica - Dimensions and performances can be changed without prior notice

Type and characteristics of the requested machine		performance on		Outlet
Flow rate	7500 [m3/h]	Capacity (Normal)		6988 [Nm3/h]
Total pressure	4000 [Pa]	Static pressure		
Working fluid temperature	20 [°C]	Fluid specific weight		1.204 [Kg/m3]
Installation altitude	0 asl [m]	Specific weight std (20 [°C], 0 asl [m])		1.204 [Kg/m3]

Suggested model and effective characteristics				performance on		Outlet
Model	GR 560R/2-I	Execution	E04	Installation Type	A (free inlet and outlet)	
Fluid specific weight	1.204	1.204 [Kg/m3]		Revolution fan speed		2935 [rpm]
Total pressure	3952	3952 [Pa]		Orientation		RD 0
Static pressure	3646	3646 [Pa]		Sound power LwA		107.7 [dB(A)]
Flow rate	7500	7500 [m3/h]		Sound pressure at mt.1.5 1/2 sf in open field		94.4 [dB(A)]
Capacity (Normal)	6988	6988 [Nm3/h]		Pipings	s>3mm = +3dB; 1mm<s<3mm = +4,5dB; s<1mm = +6dB	
Power dem. at shaft	10.244	10.244 [kW]		Fan efficiency	Outlet	80.37 %
Motor power demand	10.244	10.244 [kW]				

Characteristics of chosen motor				Motor efficiency IEC 60034-30			IE3	PD ² impeller	2.3	kgm ²		
Code	160MA2-50/std3	shape	B3	Efficiency	91.2	91	89.5	PD ² needed	2.27	kgm ²		
Rated power	11.0 [kW]	n° poles	2	rpm	2955	Load	100%	75%	50%	PD ² motor	14.4	kgm ²

ErP 2009/125/CE Regulament (UE) N. 327/2011		Notes	
Efficiency grade	64	N	73.4
Impeller type	backward blades	Type of test	B/total
		Flow rate	6988.5 [m3/h]
		Pressure	3844 [Pa]
		Total efficiency	73.43 %



values of the noise of fan obtained in ambient not reverberant with inlet and outlet ducts fully insulated

TECHNICAL DATA SHEET

RADIAL FAN nr. AFGG-40_13



G&G filtration CZ, s.r.o.

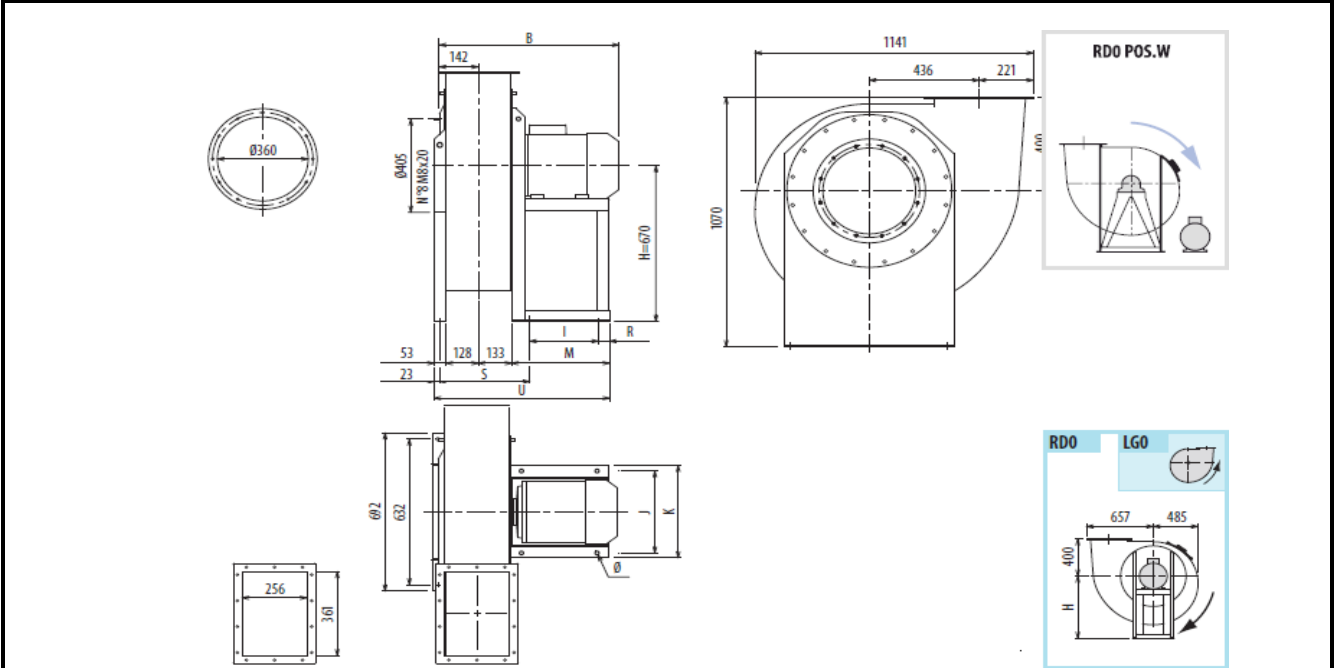
A Hrubínova 1903/9, 66451 Šlapanice, CZ

IČ 05226953 IČ DPH CZ05226953

E info@ggf.cz W www.ggf.cz

ITEM1

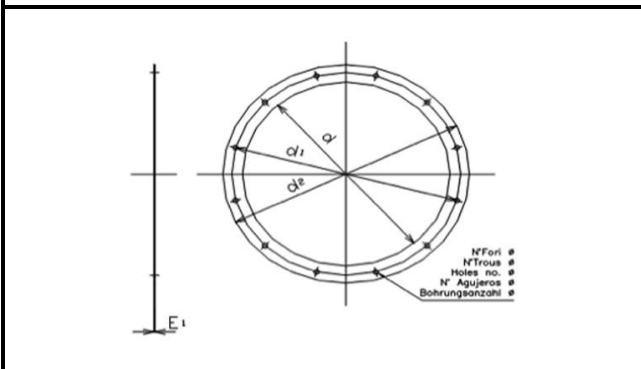
Document printed by Aeraulica - Dimensions and performances can be changed without prior notice



Indicative measures in the standard configuration. For detailed information contact your reference.

Indicative value of weight including standard motor.

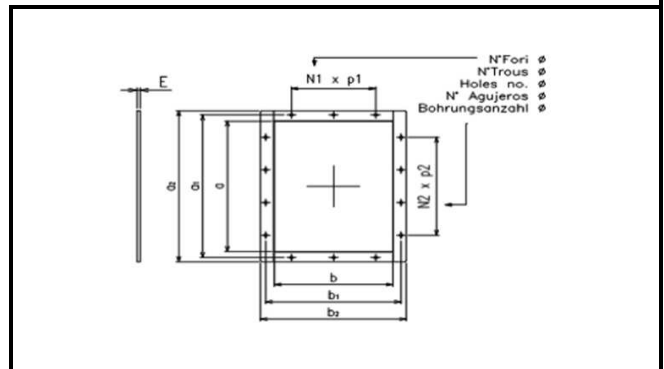
B	I	H	H1	H2	J	K	M	Q	S	U	Φ	PD2
792	337	670	400	670	395	440	446	54	349	754	14	2,3
kg												
227												



Cod	dxn°	d1	d2	Φ	E1
0360 A	360x8	405	440	12	4

--	--	--	--	--	--

--	--	--	--	--	--



Cod	axb	a1	b1	a2	b2
0361x0256	361x256	405	300	441	336

N1xp	N2xp	n°	Φ	E
1x125	2x125	10	12	4

--	--	--	--	--