

TECHNICAL DATA SHEET

RADIAL FAN nr. AFGG-40_21



G&G filtration CZ, s.r.o.

A Hrubínova 1903/9, 66451 Šlapanice, CZ
 IČ 05226953 IČ DPH CZ05226953
 E info@ggf.cz W www.ggf.cz

ITEM1

Document printed by Aeraulica - Dimensions and performances can be changed without prior notice

Type and characteristics of the requested machine				performance on		Outlet			
Flow rate	25000 [m3/h]	Capacity (Normal)			23294 [Nm3/h]				
Total pressure	4000 [Pa]	Static pressure							
Working fluid temperature	20 [°C]	Fluid specific weight			1.204 [Kg/m3]				
Installation altitude	0 asl [m]	Specific weight std (20 [°C], 0 asl [m])			1.204 [Kg/m3]				
Suggested model and effective characteristics				performance on		Outlet			
Model	RM 1000/4-I	Execution	E04	Installation Type	A (free inlet and outlet)				
Fluid specific weight	1.204	1.204 [Kg/m3]		Revolution fan speed		1475 [rpm]			
Total pressure	4172	4172 [Pa]		Orientation		RD 0			
Static pressure	4033	4033 [Pa]		Sound power LwA		108.56 [dB(A)]			
Flow rate	25000	25000 [m3/h]		Sound pressure at mt.1.5 1/2 sf in open field		95.26 [dB(A)]			
Capacity (Normal)	23294	23294 [Nm3/h]		Pipings	s>3mm = +3dB; 1mm<s<3mm = +4,5dB ; s<1mm = +6dB				
Power dem. at shaft	37.327	37.327 [kW]		Fan efficiency	Outlet	77.62	%		
Motor power demand	37.327	37.327 [kW]							
Characteristics of chosen motor				Motor efficiency IEC 60034-30		IE3	PD ² impeller	53.0 kgm ²	
Code	250M04-50/std3P	shape	B3	Efficiency	94.6	95.1	95	PD ² needed	52.5 kgm ²
Rated power	55.0 [kW]	n° poles	4	rpm	1482			PD ² motor	225 kgm ²
ErP 2009/125/CE Regulament (UE) N. 327/2011				Notes					
Efficiency grade	64			N	73	Total efficiency	74.54	%	
Impeller type	backward blades	Type of test	B/total	Flow rate	29448 [m3/h]	Pressure	3715 [Pa]		
NOTE				Performance on Outlet RM 1000/4-I - E04 - D=1[m] - ρ=1.204[kg/m ³] - T=20[°C] - 0[m]a.s.l.					
Rpm Limit	<=60 °C: 1500 Rpm			H _r , H _{st} [Pa]					
values of the noise of fan obtained in ambient not reverberant with inlet and outlet ducts fully insulated									

TECHNICAL DATA SHEET

RADIAL FAN nr. AFGG-40_21



G&G filtration CZ, s.r.o.

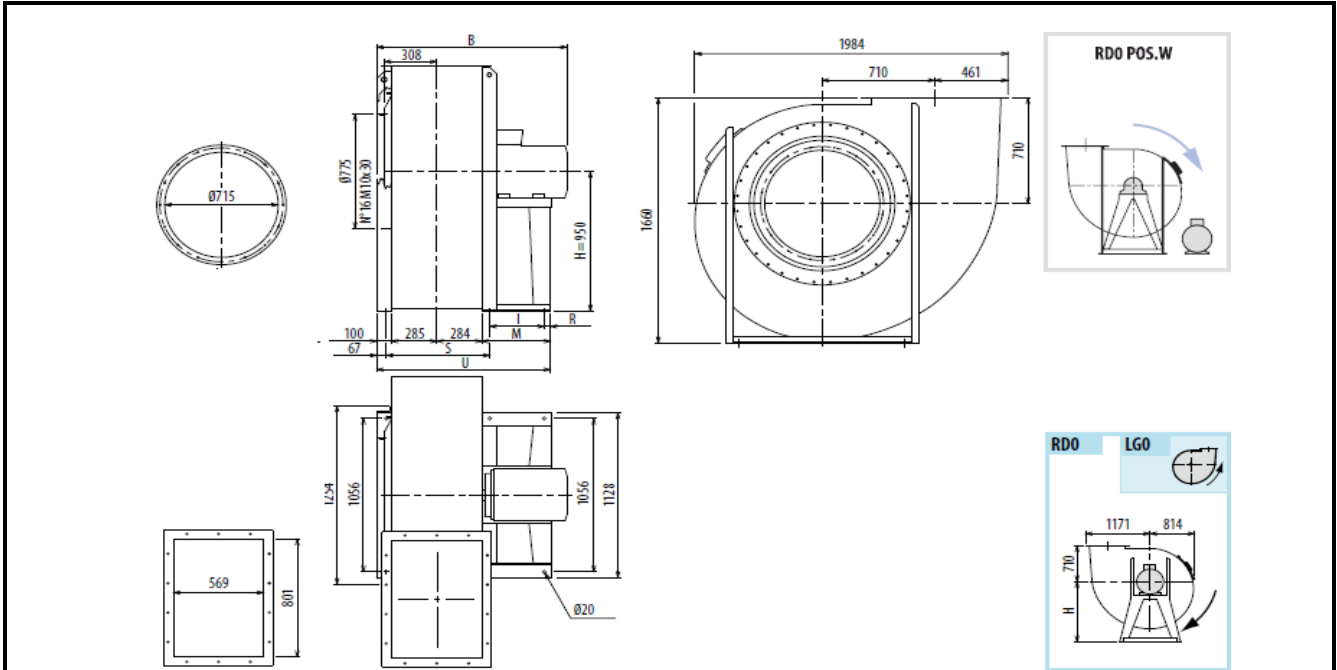
A Hrubínova 1903/9, 66451 Šlapanice, CZ

IČ 05226953 IČ DPH CZ05226953

E info@ggf.cz W www.ggf.cz

ITEM1

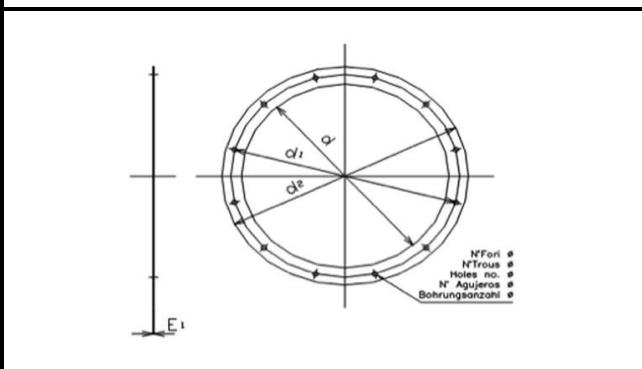
Document printed by Aeraulica - Dimensions and performances can be changed without prior notice



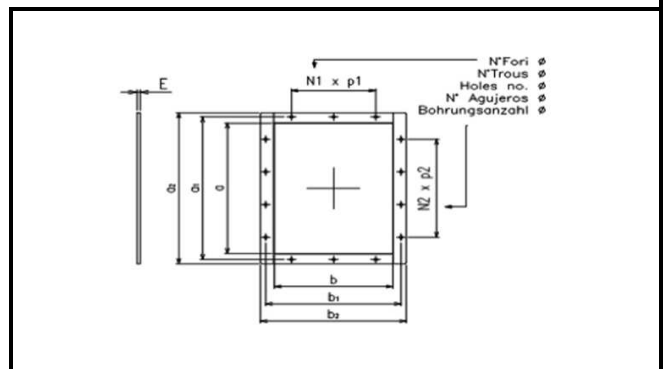
Indicative measures in the standard configuration. For detailed information contact your reference.

Indicative value of weight including standard motor.

B	I	H	H1	H2	R	S	M	U	PD2	kg
1486	500	950	710	1180	45	657	600	1269	53	1081



Cod	dxn°	d1	d2	Φ	E1
0715 A	715x16	775	815	14	5



Cod	axb	a1	b1	a2	b2
0801x0569	801x569	871	639	921	689

N1xp	N2xp	n°	Φ	E
2x200	3x200	14	14	6

